



Type series FSL 70.. up to FSL 75..
Type series FAL 70.. up to FAL 75..

2,5 - 30 kW, with up to 30 terminals



FSL... Wirewound lamina type fixed resistor, degree of protection IP 23 with weatherproof roof
FAL... Wirewound lamina type fixed resistor, degree of protection IP 20 without weatherproof roof

in zinc plated steel sheet enclosure with up to 30 terminals and cable entry strip. The terminals are accessible after the removal of the cover.

Technologies

- continuous dissipation up to 30 kW
- for floor mounting
- max. 30 flat terminals up to 35 A
- max. 19 bolt terminals up to 115 A
- adjustable clips possible
- temperature switch is not provided

Intermediate values of power can be achieved by variation of the number of laminas. (For three-phase version a multiple of 3)

Various application are possible because of the high number of available terminals. The number of terminals is determined by position 5 and 6 of the type.
(see dimensioning example)

Optionally it is also possible to make the resistance value adjustable by adjustable clips. The number of available adjustable clips depends on type and wiring

You will find further details for short term dissipation in chapter Technical Details, pages T513E-T517E.

Application

- Braking resistor for medium power ratings and medium ohmic values in degree of protection IP 23 and IP 20
- starting and regulating resistor for three-phase slip-ring rotor motors
- three-phase load resistor with partial resistor

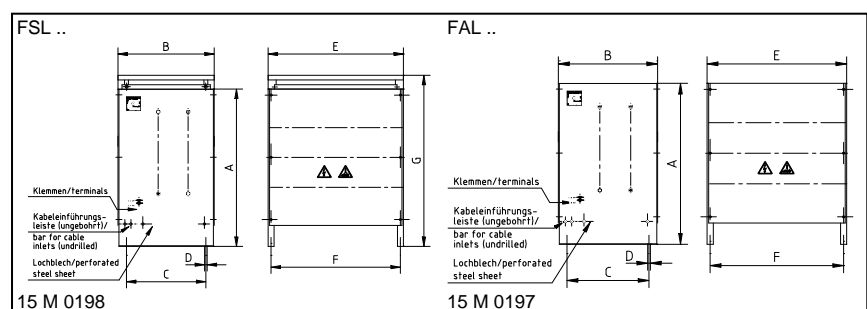
Special design

- version of low induction and of low noise (support straps made of aluminium or stainless steel)
- version with higher number of terminals, higher rating or different degree of protection on request
- console for wall mounting is available

Electrical and mechanical data

Type	power in kW at 40°C and 100% DCF	production range Ω-value (total resistance)		max. number of laminas and size	maximum # of terminals in dependency of the size		
		from	up to		FK 35 A	BK M6 60 A	BK M8 115 A
F. L 7015..	3,75	0,3	150	15 L4	12	9	7
F. L 7124..	6,0	0,5	100	24 L4	18	14	11
F. L 7236..	9,0	0,7	64	36 L4	24	19	16
F. L 7330..	13	1,0	42	30 L7	21	15	14
F. L 7445..	19	1,5	30	45 L7	30	21	19
F. L 7569..	30	2,3	19	69 L7	30	21	19

Type	dimension in mm							max. weight in kg
	A	B	C	∅ D	E	F	G only IP23	
F. L 7015..	500	300	250	8,5	300	270	560	25
F. L 7124..	500	300	250	8,5	430	400	560	30
F. L 7236..	500	300	250	8,5	600	570	560	40
F. L 7330..	800	390	330	10,5	505	465	870	60
F. L 7445..	800	390	330	10,5	685	645	870	85
F. L 7569..	800	550	490	10,5	685	645	870	130



Example of dimensioning and selection of a specific unit:

Three-phase load resistor 3 x 2,5 kW = 7,5 kW; for 3 x 230/400 V; 50 Hz; 3 x 11 A, 3 x 21 Ω; wired on 3 flat terminals 35 A. Star point in the resistor.
Selected: FSL 723603 – 3 x 21 with continuous dissipation 8,6 kW

